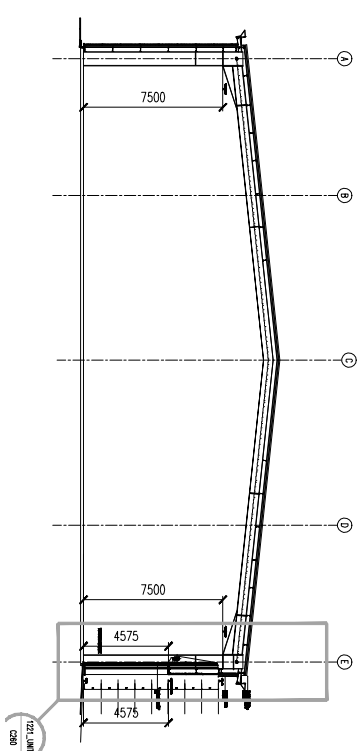
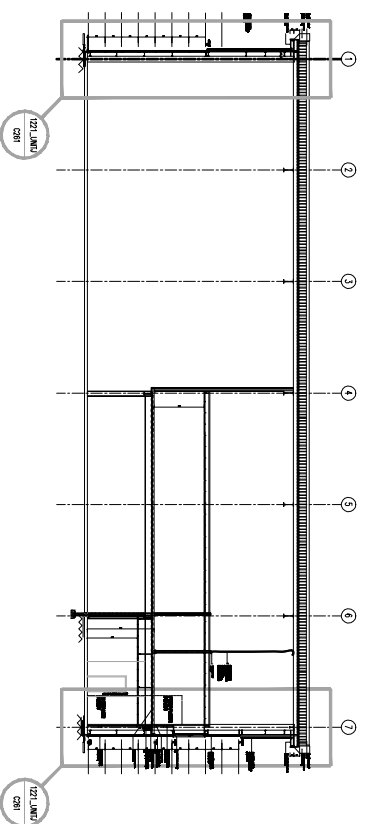


SECTION A-A



SECTION B-B



SECTION C-C

SOUTHERN COMMERCIAL
UNIT J - SECTIONS 1:200

REV. | DATE. | SCALE BY.

FletcherArchitects
Designers & Master Planners

UNITS 1 & 2 INVERDIE LANE
COMMERCIAL STREET
MANCHESTER M15 4RQ
T +44(0)161 888 1390
F +44(0)161 888 1391
www.fletcherarchitects-uk.com

PROPOSED COMMERCIAL DEVELOPMENT			
for HELIOS (INDUSTRIAL DEVELOPMENTS) LTD			
UNIT J - SECTIONS	B	1 - REVISION	30.05.07
STATUS :	RCT	CHECKED BY :	1:200GAL
DRAWN :	1221 - AB162		